

Handle Level Butterfly Valve

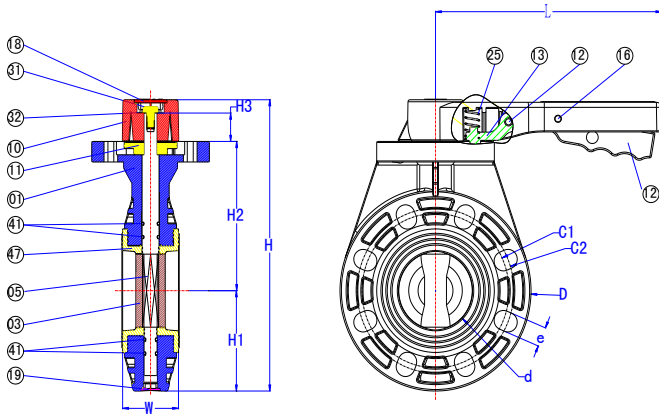
ADVANTAGES:

- 1) Improved PP disc to enhance the performance
- 2) Thickened body & seal to extend the service life
- 3) Materials meet drinking water standard
- 4) 100% pure virgin material, CaCO₃ free (Chalk)
- 5) UV resistant powder added
- 6) Can be assembled with Pneumatic/Electric Actuators

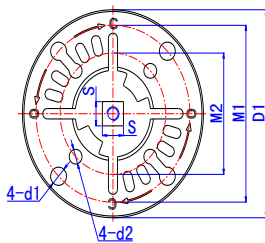
DESCRIPTION:

- 1) Material: PVC, CPVC, PP, PVDF
- 2) Size: 1½" - 8"; 63mm - 225mm ; DN50 - DN200
- 3) Standard: ANSI, DIN, JIS
- 4) Joint End: Flanges
- 5) Working Pressure: 150 PSI
- 6) Operating Temperature: PVC(0~55℃); CPVC & PP(0~95℃)
- 7) Valve body color : PVC(dark gray), CPVC(light gray), PP(light yellow)

SPECIFICATIONS:



ITEM	PART	MATERIAL	QTY
01	BODY	PVC / CPVC / PP / PVDF	1
03	DISC	PP	1
05	STEM	SS 304	1
10	HANDLE	ABS	1
11	STEM WASHER	PVC / CPVC / PP / PVDF	1
12	HANDLE LEVEL	PVC / CPVC / PP / PVDF	1
13	LOCKER PLATE	PVC / CPVC / PP / PVDF	1
16	SET PIN	ABS	2
18	CAP	ABS	1
19	BOTTOM CAP	PP	1
25	SPRING	SS 304	1
31	BOLT	SS 304	1
32	PAD	SS 304	1
41	ORING	EPDM / VITON	4
47	SEAL	EPDM / VITON	1



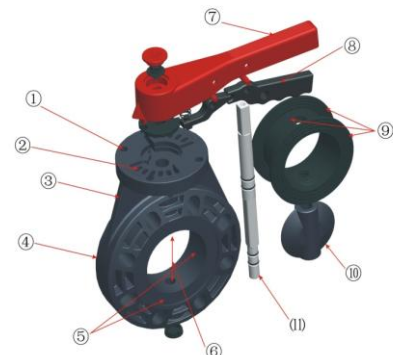
Unit: MM

SIZE	d	C1	C2	H	H1	H2	H3	D
1½" (40)	40.00	98.00	110.00	228.00	74.00	114.00	26.00	148.00
2" (50)	52.00	120.00	125.00	245.00	81.00	124.00	26.00	162.00
2½" (65)	66.00	140.00	145.00	259.00	89.50	129.00	26.00	179.00
3" (80)	78.50	150.00	160.00	283.00	97.50	145.00	26.00	195.00
4" (100)	104.00	175.00	190.50	313.00	112.50	160.00	26.00	225.00
5" (125)	127.00	210.00	216.00	348.00	127.50	175.00	30.00	255.00
6" (150)	151.00	240.00	241.00	375.00	140.00	190.00	30.00	280.00
8" (200)	200.00	290.00	298.00	434.00	172.50	219.50	30.00	340.00

SIZE	D1	M1	M2	d1	d2	S	W	L	n-e		operating torque (N·M)
									JIS	DIN/ANSI	
1½" (40)	105.00	70.00	50.00	8.50	6.50	13.90	34.00	231.00	4-19	4-19	12
2" (50)	105.00	70.00	50.00	8.50	6.50	13.90	44.00	231.00	4-19	4-19	15
2½" (65)	105.00	70.00	50.00	8.50	6.50	13.90	46.00	231.00	4-19	4-19	18
3" (80)	120.00	102.00	70.00	10.50	8.50	13.90	57.00	231.00	8-19	8-19	20
4" (100)	120.00	102.00	70.00	10.50	8.50	16.90	66.00	280.00	8-19	8-19	30
5" (125)	120.00	102.00	70.00	10.50	8.50	16.90	72.00	280.00	8-23	8-23	42
6" (150)	120.00	102.00	70.00	10.50	8.50	16.90	72.00	280.00	8-23	8-23	48
8" (200)	120.00	102.00	70.00	10.50	8.50	21.90	82.00	280.00	12-23	8-23	80

DESIGNS:

- ① Increase in pneumatic / electric operating platform to facilitate customer replacement screw hole
- ② Update the design with switching angle control, easy to remove rusty metal
- ③ Increase the height of the neck for easy installation
- ④ Valve designed for the whole circle, heavier weight, higher performance of force area to extend the service
- ⑤ Sealing surface is processed by CNC machines, reliable sealing
- ⑥ Through hole is processed via CNC machine, sealing performance is improved.
- ⑦ An attractive design with handle, widening the force area, to extend the service life is not easy to break
- ⑧ The grip change to plastic material, to eliminate the possibility of old rust and easy to operate
- ⑨ Ribs are added on the seal to enhance sealing performance.
- ⑩ Enhance the physical properties of modified PP for the gate
- ⑪ SS304 coarse steel shaft to ensure that high-pressure-resistant, will not be affected by a slight deformation of the sealing performance



Worm Geared Butterfly Valve

ADVANTAGES:

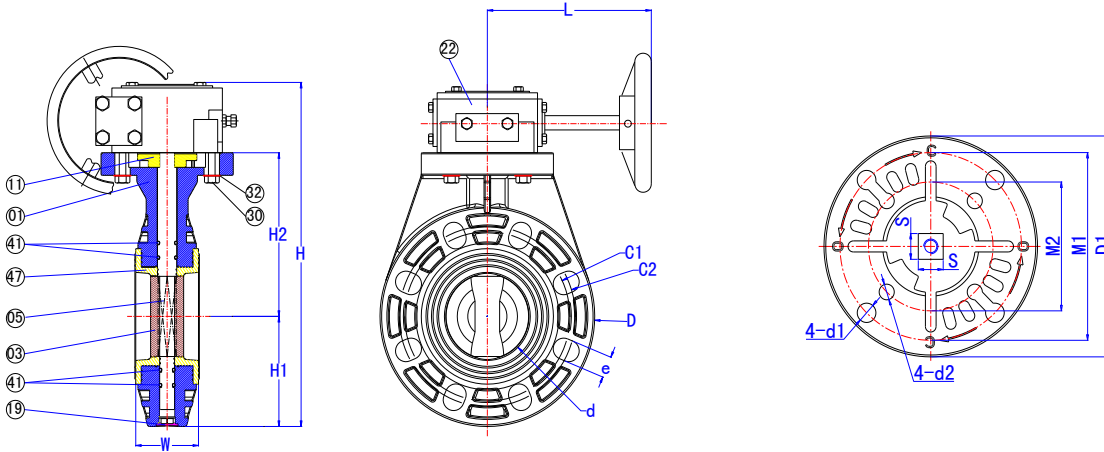
- 1) Improved PP disc to enhance the performance
- 2) Thickened body & seal to extend the service life
- 3) Materials meet drinking water standard
- 4) 100% pure virgin material, CaCO₃ free (Chalk)
- 5) UV resistant powder added
- 6) Can be assembled with Pneumatic/Electric Actuators

DESCRIPTION:

- 1) Material: PVC, CPVC, PP, PVDF
- 2) Size: 8" - 12"; 225mm - 315mm ; DN200 - DN300
- 3) Standard: ANSI, DIN, JIS
- 4) Joint End: Flanges
- 5) Working Pressure: 150 PSI
- 6) Operating Temperature: PVC(0~55℃); CPVC & PP(0~95℃)
- 7) Valve body color : PVC(dark gray), CPVC(light gray), PP(light yellow)



SPECIFICATIONS:



ITEM	PART	MATERIAL	QTY
01	BODY	PVC / CPVC / PP / PVDF	1
03	DISC	PP	1
05	STEM	SS 304	1
11	STEM WASHER	PVC / CPVC / PP / PVDF	1
19	BOTTOM CAP	PP	1
22	GEAR BOX	CARBON STEEL	1
30	BOLT	SS 304	4
32	PAD	SS 304	4
41	ORING	EPDM / VITON	4
47	SEAL	EPDM / VITON	1

Unit: MM

SIZE	d	C1	C2	H	H1	H2
8"(200)	200.00	290.00	298.00	434.00	172.50	219.50
10"(250)	251.00	350.00	362.00	537.00	205.00	257.00
12"(300)	290.00	400.00	431.50	628.50	242.50	302.00

SIZE	D	M1	M2	d1	d2	S	W	L	n-e		operating torque (N·M)
									JIS	DIN/ANSI	
8"(200)	340.00	102.00	70.00	10.50	8.50	21.90	82.00	199.00	12-23	8-23	80
10"(250)	410.00	125.00	102.00	12.50	10.50	26.90	92.00	199.00	12-25		180
12"(300)	485.00	125.00	102.00	12.50	10.50	26.90	98.00	250.00	16-25	12-25	220