



XIAMEN SANIDENG PLASTICS INDUSTRY CO.,LTD

Flanged Diaphragm Valve

ADVANTAGES:

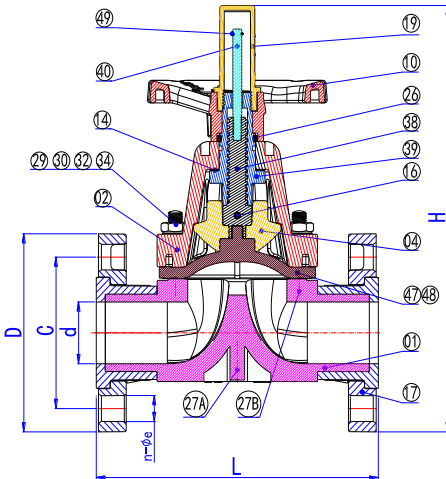
- 1) Materials meet drinking water standard
- 2) Improved designs and performance
- 3) 100% pure virgin material, CaCO3 free (Chalk)
- 4) UV resistant powder added
- 5) Clear body is available to check working status
- 6) Diaphragm is available in EPDM, PTFE & VITON

DESCRIPTION:

- 1) Material: PVC, CPVC, PP, Clear PVC, PVDF
- 2) Size: 1/2" - 4"; 20mm - 110mm; DN15 - DN100
- 3) Standard: ANSI, DIN, JIS
- 4) Joint End: Socket
- 5) Working Pressure: 150 PSI
- 6) Operating Temperature: PVC(0~55°C); CPVC & PP(0~95°C)
- 7) Valve body color : PVC(dark gray), CPVC(light gray), PP(light yellow), Clear PVC(transparent), PVDF(ivory)



SPECIFICATIONS:



Van Stone Flanged Type - ANSI

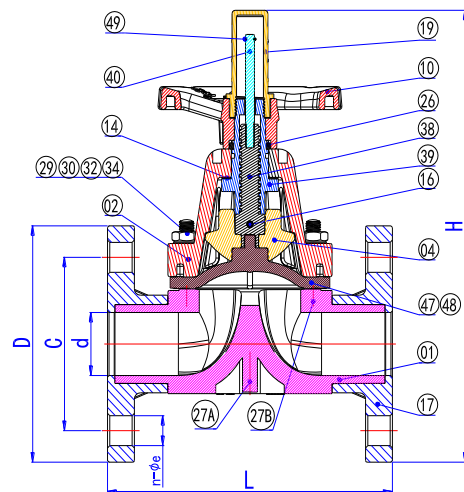
ITEM	PART	MATERIAL	QTY
01	LOWER BODY	PVC / CPVC / PP / PVDF	1
02	UPPER BODY	PVC / CPVC / PP / PVDF	1
04	COMPRESSOR	ABS	1
10	HANDWHEEL	ABS	1
14	THRUST WASHER	PTFE	1
16	PIN	65 Mn	1
17	FLANGE	PVC / CPVC / PP / PVDF	2
19	INDICATOR COVER	PVC	1
26	BUCKLE	PP	1
27A	INSERTED COPPER	Cu	2
27B	INSERTED COPPER	Cu	0 / 4
29	BOLT STUB	SS 304	0 / 4
30	HEX BOLT	SS 304	2-4
32	PAD	SS 304	8-12
34	HEX NUT	SS 304	4-8
38	STEM SPINDLE	Cu (H59)	1
39	STEM SLEEVE	Cu (H59)	1
40	INDICATOR STEM	ABS	1
48 / 47	DIAPHRAGM	EPDM / VITON / PTFE	1
49	ORING	EPDM	1

SIZE	D	C	d	L	H	n-φe
1/2"(15)	87.00	60.30	15.00	106.00	170.50	4-16
3/4"(20)	98.00	70.00	20.00	119.00	181.00	4-16
1"(25)	108.00	79.40	25.00	144.00	195.40	4-16
1 1/4"(32)	117.00	88.90	32.00	191.00	277.50	4-16
1 1/2"(40)	128.00	98.00	40.00	193.40	283.00	4-16
2"(50)	155.50	121.00	50.00	232.00	312.40	4-19
2 1/2"(65)	178.00	140.00	65.00	263.00	385.00	4-19
3"(80)	192.00	152.00	75.00	304.00	411.30	8-19
4"(100)	230.00	191.20	95.00	362.00	449.00	8-19

T/S Flanged Type - DIN / JIS

Unit: MM

SIZE	D	C		d	L	H	n-φe
		DIN	JIS				
1/2"(15)	95.00	65.00	70.00	15.00	106.00	174.50	4-15
3/4"(20)	105.00	75.00	75.00	20.00	119.00	184.50	4-15
1"(25)	125.00	85.00	90.00	25.00	142.00	203.90	4-19
1 1/4"(32)	140.00	100.00	100.00	32.00	191.00	289.00	4-19
1 1/2"(40)	150.00	110.00	105.00	40.00	191.00	294.00	4-19
2"(50)	165.00	125.00	120.00	50.00	231.00	317.00	4-19
2 1/2"(65)	185.00	145.00	140.00	65.00	269.00	388.50	4-19
3"(80)	200.00	160.00	150.00	80.00	308.00	415.30	8-19
4"(100)	220.00	180.00	175.00	100.00	368.00	444.00	8-19



T/S Flanged Type - DIN / JIS