



# XIAMEN SANIDENG PLASTICS INDUSTRY CO.,LTD

Address: No.169,TongHong Road,TongAn District, XiaMen 361100, FuJian, China  
 Tel: 86-592-7197133 Fax: 86-592-7197120 Group site: www.sanking.cn

## New Compact Ball Valve-Fusion type

### ADVANTAGES:

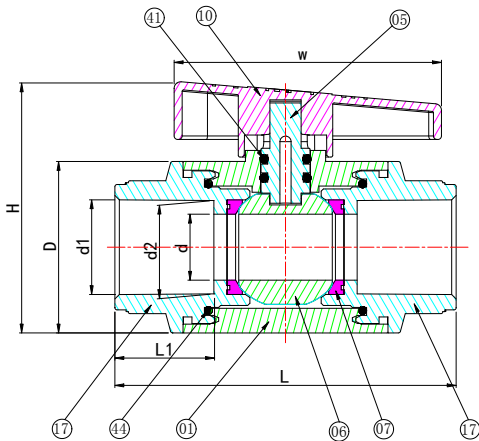
- 1) Enhanced hermeticity;
- 2) Smooth opening and closing thanks to a lower torque;
- 3) Replaceable ergonomic handle;
- 4) Material is Nano-modified which increases resistance to pressure and impact of product;
- 5) ANTI-UV absorbent is added to raw material in order to increase weather resistance and ageing resistance of product;
- 6) 100% pressure testing before leaving the factory;
- 7) Easy differentiation from fake SANKING Ball Valves and poor quality imitations.

### DESCRIPTION:

- 1) Material:UPVC
- 2) Size: 1/2"-2" ; 20mm - 63mm ; DN15 - DN50
- 3) Joint End: Socket, Threaded NPT, BSPF and PT
- 4) Standard: ANSI, DIN, JIS, CNS
- 5) Working Pressure: 150 PSI
- 6) Operating Temperature:UPVC(0~45 ℃)
- 7) Handle color : red, blue  
 Valve body color :UPVC(Dark Gray / White )



### SPECIFICATIONS:

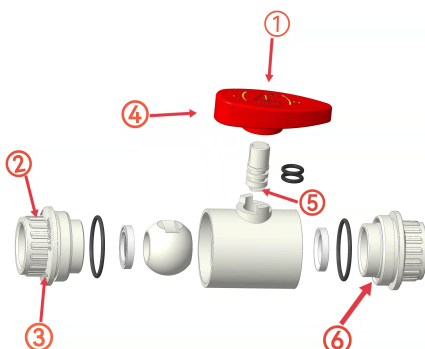


ITEM	PART	MATERIAL	QTY
44	Union End O-ring	EPDM/VITON	2
41	Stem O-ring	EPDM/VITON	2
17	Union End	UPVC	2
10	Handle	ABS	1
07	Seat	TPV	2
06	Ball	UPVC	1
05	Stem	UPVC	1
01	Body	UPVC	1

UNIT: mm

SIZE	d	d1				d2				D	L	L1	H	W	operating torque (N·M)
		ANSI	DIN	JIS	CNS	ANSI	DIN	JIS	CNS						
1/2"(15)	15	21.54	20.3	22.2	22.2	21.23	20	21.9	21.9	39	77	22.2	57	60	3
3/4"(20)	20	26.87	25.31	26.2	26.2	26.57	25	25.9	25.9	47.4	91.7	26	68.5	68	3.5
1"(25)	25	33.65	32.33	32.26	34.5	33.27	32	31.9	33.9	55.3	102.5	28.6	82	78.5	4
1-1/4"(32)	32	42.42	40.30	38.60	42.50	42.04	40.10	37.65	41.90	70.00	125.70	35.00	102.00	100.00	5.00
1-1/2"(40)	40	48.56	50.30	48.70	48.60	48.11	50.10	47.74	47.90	81.00	136.50	37.00	121.50	130.00	6.00
2"(50)	50	60.63	63.30	60.80	60.60	60.17	63.10	59.78	59.90	98.00	149.30	38.00	137.00	130.00	6.00

### DESIGNS:



1. Official SANKING mark;
2. New high relief ribs facilitate fripping during installation, more beautiful and more in line with industrial aesthetics;
3. SANKING logo in high relief, easy differentiation from fake SANKING and poor quality
4. New wider and extended handle facilitates valve operation. Significant reduction of the torque.
5. Bulgy circular cone is changed to two sides planes, which makes it easier to process and more accurate;
6. Buckle type change to Fusion connection makes better sealing performance and improved pressure bearing capacity.