


Valvola con raccordo a compressione PN16

PN16 Compression ball valve

18VCBB

COMPONENTI/COMPONENTS

1	Tappo maniglia/handle plug: MDPE
2	Vite in acciaio/Steel nut
3	Maniglia in PACV/PAGF handle
4	Perno in ottone/Brass pivot
5	Guarnizione/NBR o' ring
6	Corpo in PPCV/PPGF body
7	 Sfera in ottone cromato/Brass chromium plated ball (*)
8	Guarnizione in PTFE/PTFE o'ring
9	Ghiera in PP - PP Nut
10	Anello di graffaggio (resina acetica)/Clinching ring (acetal resin)
11	Anello di spinta/Thrust ring (PP)
12	Guarnizione/O ring: NBR

(*) OPZIONALE

Sfera TEFLONATA PTFE coated ball



Idonea al contatto con acqua di mare e sostanze chimiche.
 Contattare il nostro staff tecnico (laboratorio@plasticalfa.it)
 Suitable for sea water and chemical media.
 Contact our technical staff (laboratorio@plasticalfa.it)



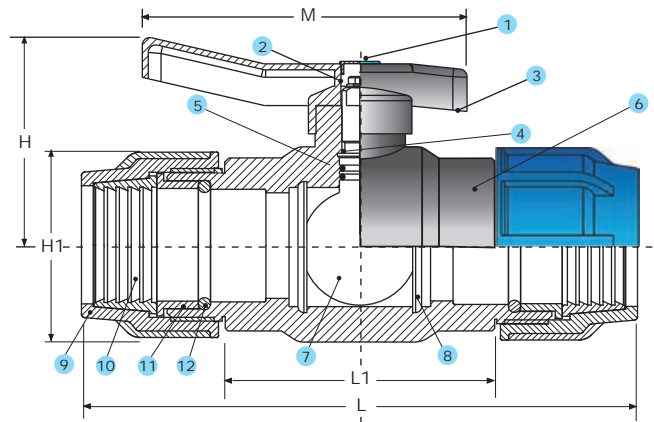
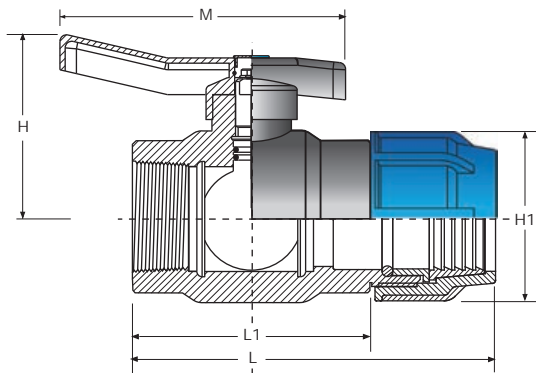
MANIGLIA TIPO A
HANDLE TYPE A



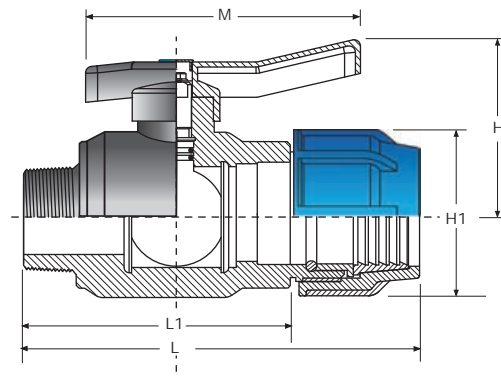
MANIGLIA STANDARD
HANDLE STANDARD



MANIGLIA TIPO C
HANDLE TYPE C



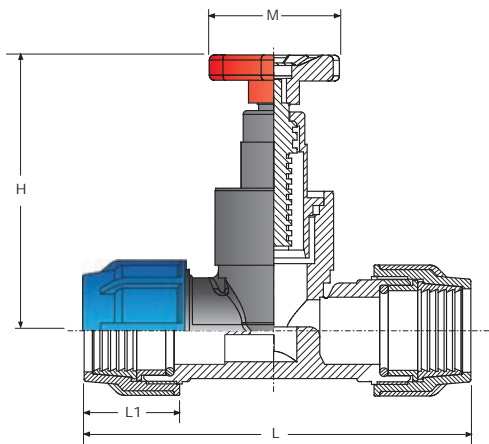
ø	L	L1	M	H	H1	Maniglia handle
ø 20	156	68.5	85	51.5	48	A/ST
ø 25	170	78	108	58	54	A/ST
ø 32	200	92.5	108	70	63	A/ST
ø 40	229	101	108	75	77	ST
ø 50	251	117	150	101	91	ST
ø 63	300	136	150	106	106	ST
ø 75	340	150	305	140	126	C
ø 90	400	150	305	150	148	C
ø 110	440	170	305	165	173	C



\varnothing	L	L1	M	H	H1	Maniglia handle
$\varnothing 20 \times 1/2"$	110	68.5	85	51.5	48	A/ST
$\varnothing 25 \times 3/4"$	125	78	108	58	54	A/ST
$\varnothing 32 \times 1"$	148	92.5	108	70	63	A/ST
$40 \times 1 1/4$	165	101	108	75	77	ST
$50 \times 1 1/2$	184	117	150	101	91	ST
$63 \times 2"$	218	136	150	106	106	ST
$75 \times 2 1/2$	240	145	305	140	126	C
$90 \times 3"$	300	175	305	150	148	C
$110 \times 4"$	322	190	305	165	173	C

\varnothing	L	L1	M	H	H1	Maniglia handle
$\varnothing 20 \times 1/2"$	126.5	84.5	85	51.5	48	A/ST
$\varnothing 25 \times 3/4"$	142	94	108	58	54	A/ST
$\varnothing 32 \times 1"$	158	104.5	108	70	63	A/ST
$40 \times 1 1/4$	175	111.5	108	75	77	ST
$50 \times 1 1/2$	202	135	150	101	91	ST
$63 \times 2"$	229	147	150	106	106	ST
$75 \times 2 1/2$	270	177	305	140	126	C
$90 \times 3"$	318	193	305	150	148	C
$110 \times 4"$	330	198	305	165	173	C

54RA



Rubinetto d'arresto PN 16

PN16 Stop cock

\varnothing	L	L1	M	H
25	158	45	55	95
32	200	52	55	100