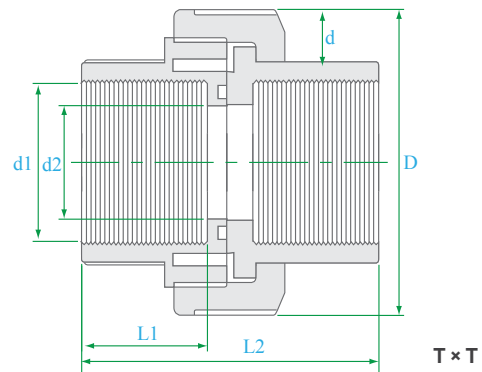
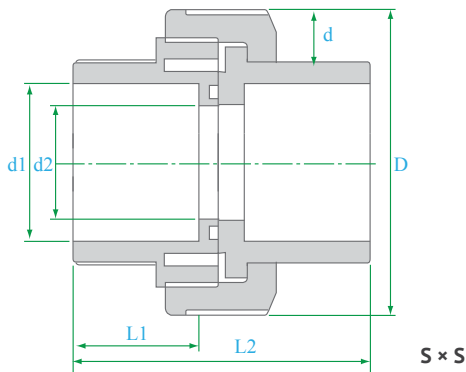


Unions



PART	NOMINAL SIZE	UNION - S x S	UNIT OF MEASURE: MM					APPROX. WT.	
			D	d	d1	d2	L1		L2
0407.UNES.0050	1/2"		44.20	13.00	21.54	21.23	22.20	55.00	0.05
0407.UNES.0075	3/4"		55.60	18.20	26.87	26.57	26.00	63.80	0.08
0407.UNES.0100	1"		66.50	24.00	33.65	33.27	28.60	69.50	0.13
0407.UNES.0125	1 1/4"		82.20	30.50	42.42	42.04	33.80	79.90	0.19
0407.UNES.0150	1 1/2"		98.10	38.20	48.56	48.11	34.80	81.50	0.34
0407.UNES.0200	2"		120.00	50.00	60.63	60.17	38.10	98.00	0.58
0407.UNES.0250	2 1/2"		120.00	50.00	73.38	72.85	41.50	98.00	0.60
0407.UNES.0300	3"		184.00	75.00	89.31	88.70	47.60	118.00	1.30
0407.UNES.0400	4"		199.00	100.00	114.76	114.07	57.20	156.00	2.17

PART	NOMINAL SIZE	UNION - T x T	UNIT OF MEASURE: MM					APPROX. WT.	
			D	d	d1	d2	L1		L2
0407.UNET.0050	1/2"		44.20	13.00	21.54	21.23	22.20	55.00	0.05
0407.UNET.0075	3/4"		55.60	18.20	26.87	26.57	26.00	63.80	0.08
0407.UNET.0100	1"		66.50	24.00	33.65	33.27	28.60	69.50	0.13
0407.UNET.0125	1 1/4"		82.20	30.50	42.42	42.04	33.80	79.90	0.19
0407.UNET.0150	1 1/2"		98.10	38.20	48.56	48.11	34.80	81.50	0.34
0407.UNET.0200	2"		120.00	50.00	60.63	60.17	38.10	98.00	0.58
0407.UNET.0250	2 1/2"		120.00	50.00	73.38	72.85	41.50	98.00	0.60
0407.UNET.0300	3"		184.00	75.00	89.31	88.70	47.60	118.00	1.30
0407.UNET.0400	4"		199.00	100.00	114.76	114.07	57.20	156.00	2.17

Notes: Physical dimensions and tolerances meet the requirements of ASTM Standard D-2467. PVC material meets ASTM Standard D-1784. Dimensions are subject to change without notice. Contact your HYDROSEAL representative for certification.