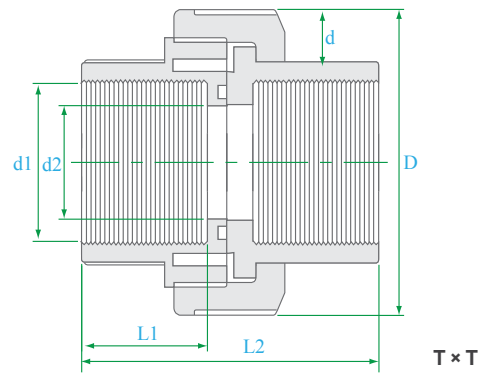
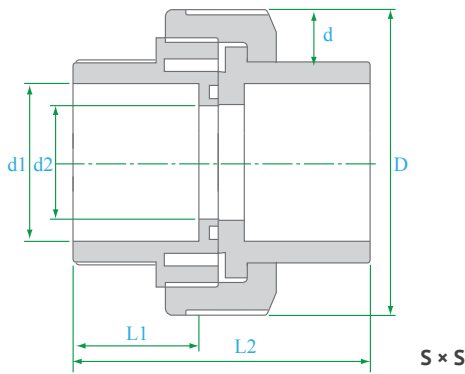


Unions



| PART | NOMINAL SIZE | UNION- S × S | UNIT OF MEASURE: MM | | | | | APPROX. WT. |
|----------------|--------------|--------------|---------------------|--------|--------|-------|--------|-------------|
| | | | D | d | d1 | d2 | L1 | |
| 0408.UNES.0050 | 1/2" | 44.20 | 13.00 | 21.54 | 21.23 | 22.20 | 55.00 | 0.05 |
| 0408.UNES.0075 | 3/4" | 55.60 | 18.20 | 26.87 | 26.57 | 26.00 | 63.80 | 0.08 |
| 0408.UNES.0100 | 1" | 66.50 | 24.00 | 33.65 | 33.27 | 28.60 | 69.50 | 0.13 |
| 0408.UNES.0125 | 1 1/4" | 82.20 | 30.50 | 42.42 | 42.04 | 33.80 | 79.90 | 0.19 |
| 0408.UNES.0150 | 1 1/2" | 98.10 | 38.20 | 48.56 | 48.11 | 34.80 | 81.50 | 0.34 |
| 0408.UNES.0200 | 2" | 120.00 | 50.00 | 60.63 | 60.17 | 38.10 | 98.00 | 0.58 |
| 0408.UNES.0250 | 2 1/2" | 120.00 | 50.00 | 73.38 | 72.85 | 41.50 | 98.00 | 0.60 |
| 0408.UNES.0300 | 3" | 184.00 | 75.00 | 89.31 | 88.70 | 47.60 | 118.00 | 1.30 |
| 0408.UNES.0400 | 4" | 199.00 | 100.00 | 114.76 | 114.07 | 57.20 | 156.00 | 2.17 |

| PART | NOMINAL SIZE | UNION- T × T | UNIT OF MEASURE: MM | | | | | APPROX. WT. |
|----------------|--------------|--------------|---------------------|--------|--------|-------|--------|-------------|
| | | | D | d | d1 | d2 | L1 | |
| 0408.UNET.0050 | 1/2" | 44.20 | 13.00 | 21.54 | 21.23 | 22.20 | 55.00 | 0.05 |
| 0408.UNET.0075 | 3/4" | 55.60 | 18.20 | 26.87 | 26.57 | 26.00 | 63.80 | 0.08 |
| 0408.UNET.0100 | 1" | 66.50 | 24.00 | 33.65 | 33.27 | 28.60 | 69.50 | 0.13 |
| 0408.UNET.0125 | 1 1/4" | 82.20 | 30.50 | 42.42 | 42.04 | 33.80 | 79.90 | 0.19 |
| 0408.UNET.0150 | 1 1/2" | 98.10 | 38.20 | 48.56 | 48.11 | 34.80 | 81.50 | 0.34 |
| 0408.UNET.0200 | 2" | 120.00 | 50.00 | 60.63 | 60.17 | 38.10 | 98.00 | 0.58 |
| 0408.UNET.0250 | 2 1/2" | 120.00 | 50.00 | 73.38 | 72.85 | 41.50 | 98.00 | 0.60 |
| 0408.UNET.0300 | 3" | 184.00 | 75.00 | 89.31 | 88.70 | 47.60 | 118.00 | 1.30 |
| 0408.UNET.0400 | 4" | 199.00 | 100.00 | 114.76 | 114.07 | 57.20 | 156.00 | 2.17 |

Notes: Physical dimensions and tolerances meet the requirements of ASTM Standards F-439 for socket type fittings and F-437 for threaded fittings. CPVC material meets ASTM Standard D-1784. Dimensions are subject to change without notice. Contact your HYDROSEAL representative for certification.