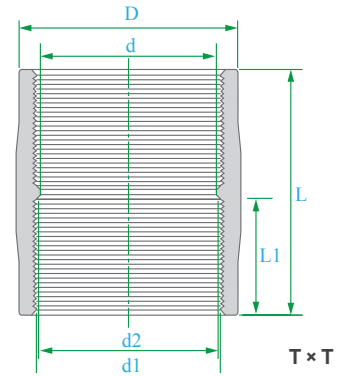
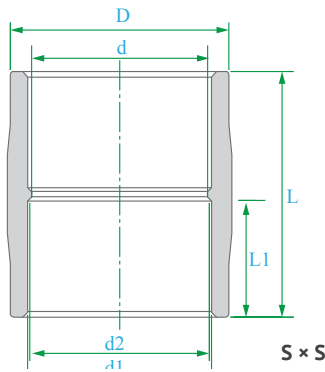


Couplings



PART	NOMINAL SIZE	COUPLING - S x S	UNIT OF MEASURE: MM					APPROX. WT.	
			D	d	d1	d2	L1		L
0308.SCT.0050	1/2"		29.50	19.00	21.54	21.23	22.50	48.00	0.02
0308.SCT.0075	3/4"		35.00	24.00	26.87	26.57	25.50	54.00	0.03
0308.SCT.0100	1"		43.00	31.00	33.65	33.27	29.00	61.00	0.05
0308.SCT.0125	1 1/4"		52.50	40.00	42.42	42.04	32.00	68.00	0.08
0308.SCT.0150	1 1/2"		59.00	46.00	48.56	48.11	35.00	74.00	0.10
0308.SCT.0200	2"		72.00	58.00	60.63	60.17	38.50	81.00	0.14
0308.SCT.0250	2 1/2"		87.50	70.00	73.38	72.85	44.50	93.00	0.26
0308.SCT.0300	3"		105.00	86.00	89.31	88.70	48.00	100.00	0.38
0308.SCT.0400	4"		132.00	110.00	114.76	114.07	57.50	120.00	0.58
0308.SCT.0500	5"		-	-	-	-	-	-	1.06
0308.SCT.0600	6"		193.00	164.00	168.83	168.00	77.00	162.00	1.62
0308.SCT.0800	8"		245.00	214.00	219.84	218.70	100.00	216.00	3.17
0308.SCT.1000	10"		318.00	-	273.81	272.67	140.00	270.00	6.00
0308.SCT.1200	12"		356.00	-	324.61	323.47	160.00	338.00	10.00
0308.SCT.1400	14"		399.00	-	356.39	-	178.00	406.00	14.00
0308.SCT.1600	16"		450.00	-	407.19	-	204.00	439.00	18.00
0308.SCT.1800	18"		505.00	-	457.99	-	228.00	496.00	22.00
0308.SCT.2000	20"		563.00	-	517.07	-	254.00	522.00	27.00
0308.SCT.2400	24"		674.00	-	611.58	-	305.00	652.00	34.00

PART	NOMINAL SIZE	COUPLING - T x T	UNIT OF MEASURE: MM					APPROX. WT.	
			D	d	d1	d2	L1		L
N/A	1/2"		29.50	19.00	21.54	21.23	22.50	35.00	0.02
N/A	3/4"		35.00	24.00	26.87	26.57	25.50	40.00	0.03
N/A	1"		43.00	31.00	33.65	33.27	29.00	47.50	0.05
N/A	1 1/4"		52.50	40.00	42.42	42.04	32.00	55.00	0.08
N/A	1 1/2"		59.00	46.00	48.56	48.11	35.00	62.00	0.10
N/A	2"		72.00	58.00	60.63	60.17	38.50	71.50	0.14
N/A	2 1/2"		87.50	70.00	73.38	72.85	44.50	83.50	0.26
N/A	3"		105.00	86.00	89.31	88.70	48.00	95.00	0.38
N/A	4"		132.00	110.00	114.76	114.07	57.50	117.50	0.58

Notes: Physical dimensions and tolerances meet the requirements of ASTM Standards F-439 for socket type fittings and F-437 for threaded fittings. CPVC material meets ASTM Standard D-1784. Dimensions are subject to change without notice. Contact your HYDROSEAL representative for certification.