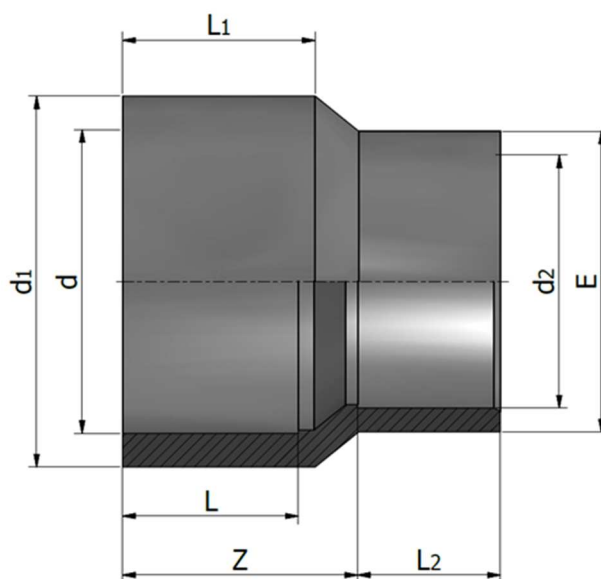


**PVC-U Solvent welded metric fittings**  
**PVC-U Raccordi per incollaggio metrici**

**REDUCING PIECE**  
**RIDUZIONE LUNGA**

Rev. Jul 2020



Code	d	d1	d2	E	L	L1	L2	Z	PN	Weight (g)
RDRRLD020A	20	25	16	23	16	19	14	22	16	9
RDRRLD020B	20	25	20	26	16	19	16	24,5	16	12
RDRRLD025A	25	32	16	23	19	22	14	25	16	16
RDRRLD025B	25	32	20	28	19	22	16	25	16	17
RDRRLD025C	25	32	25	33	19	22	19	25	16	18
RDRRLD032B	32	40	20	28	22	24	16	31	16	27
RDRRLD032C	32	40	25	33	22	24	19	30	16	27
RDRRLD032D	32	40	32	40	22	26	22	31	16	28
RDRRLD040C	40	50	25	33	28	31	19	40	16	49
RDRRLD040D	40	50	32	41	28	31	22	37	16	53
RDRRLD040E	40	50	40	50	26	31	26	36	16	56
RDRRLD050D	50	63	32	41	31	38	22	43	16	88
RDRRLD050E	50	63	40	50	32	38	26	44	16	93
RDRRLD050F	50	63	50	63	31	38	31	54	16	110
RDRRLD063E	63	75	40	50	38	44	26	55	16	125
RDRRLD063F	63	75	50	60	38	44	32	50	16	130
RDRRLD063G	63	75	63	75	38	44	38	41	16	140
RDRRLD075F	75	90	50	61	44	51	31	62	16	200
RDRRLD075G	75	90	63	75	44	51	38	55	16	222
RDRRLD075H	75	90	75	90	44	44	44	47	16	237

Code	d	d1	d2	E	L	L1	L2	Z	PN	Weight (g)
RDRRLD090F	90	110	50	61	51	61	31	79	16	371
RDRRLD090G	90	110	63	75	51	61	38	73	16	378
RDRRLD090H	90	110	75	90	51	61	44	67	16	402
RDRRLD090I	90	110	90	110	51	61	51	56	16	442
RDRRLD110G	110	125	63	75	61	69	38	89	16	398
RDRRLD110H	110	125	75	88	61	69	44	84	16	428
RDRRLD110I	110	125	90	106	61	69	51	78	16	490
RDRRLD110L	110	125	110	125	61	61	61	66	16	675
RDRRLD125I	125	140	90	106	69	76	51	93	16	580
RDRRLD125L	125	140	110	129	69	76	61	86	16	645
RDRRLD125M	125	140	125	129	69	76	61	86	16	590
RDRRLD140I	140	160	90	106	76	86	51	100	16	812
RDRRLD140L	140	160	110	129	76	86	61	94	16	912
RDRRLD140M	140	160	125	145	76	86	69	84	16	950
RDRRLD140N	140	160	140	160	76	80	76	84	16	1000
RDRRLD160L	160	190	110	138	86	-	61	130	10	1900
RDRRLD160M	160	190	125	155	86	-	68,5	117	10	2080
RDRRLD160N	160	184	140	164	86	-	76	94	10	2000
RDRRLD200L	200	234	110	138	103	-	61	181	10	3100
RDRRLD200N	200	234	140	170	103	-	76	155	10	3200
RDRRLD200O	200	234	160	190	103	-	86	138	10	3200
RDRRLD225O	225	258	160	190	104	-	86	161	10	4000
RDRRLD225Q	225	258	200	227	104	-	106	126	10	3500
RDRRLD250Q	250	283	200	234	105	-	106	149	10	4500
RDRRLD250R	250	283	225	258	105	-	107	127	10	4900
RDRRLD315S	315	355	250	283	105	-	105	162	8	6800

All descriptions and illustrations in this publication are intended for guidance only and shall not constitute a 'sale by description'. All dimensions given are nominal, while changes can be done on the information, products and specifications from time to time for a variety of reasons, without prior notice. The information in this publication is provided 'as is' on the revision date stated on the sheet. Updates will not be issued automatically. This information is not intended to have any legal effect, whether by way of advice, representation or warranty (express or implied). We accept no liability whatsoever (to the extent permitted by law) if you place any reliance on this publication you must do so at your own risk. All rights reserved. Copyright in this publication belongs to Polypipe Italia and all such copyright may not be used, sold, copied or reproduced in whole or part in any manner in any media to any person without prior consent. **EFFAST** is a registered trademark."