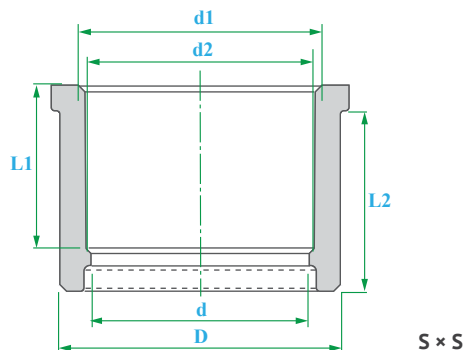


### Reducing Bushes



PART	NOMINAL SIZE	REDUCER - S × S	UNIT OF MEASURE: MM						APPROX. WT.
			D	d	d1	d2	L1	L2	
0307.RBH.007504	3/4" > 1/2"		26.67	19.00	21.54	21.23	22.50	25.50	0.01
0307.RBH.010004	1 > 1/2"		33.40	19.00	21.54	21.23	22.50	29.00	0.03
0307.RBH.010005	1 > 3/4"		33.40	24.00	26.87	26.57	25.50	29.00	0.02
0307.RBH.012504	1 1/4 > 1/2"		42.16	19.00	21.54	21.23	22.50	32.00	0.05
0307.RBH.012505	1 1/4 > 3/4"		42.16	24.00	26.87	26.57	25.50	32.00	0.05
0307.RBH.012506	1 1/4 > 1"		42.16	31.00	33.65	33.27	29.00	32.00	0.03
0307.RBH.015004	1 1/2 > 1/2"		48.26	19.00	21.54	21.23	22.50	35.00	0.04
0307.RBH.015005	1 1/2 > 3/4"		48.26	24.00	26.87	26.57	25.50	35.00	0.06
0307.RBH.015006	1 1/2 > 1"		48.26	31.00	33.65	33.27	29.00	35.00	0.06
0307.RBH.015007	1 1/2 > 1 1/4"		48.26	40.00	42.42	42.04	32.00	35.00	0.04
0307.RBH.020004	2 > 1/2"		60.33	19.00	21.54	21.23	22.50	38.50	0.10
0307.RBH.020005	2 > 3/4"		60.33	24.00	26.87	26.57	25.50	38.50	0.09
0307.RBH.020006	2 > 1"		60.33	31.00	33.65	33.27	29.00	38.50	0.09
0307.RBH.020007	2 > 1 1/4"		60.33	40.00	42.42	42.04	32.00	38.50	0.09
0307.RBH.020008	2 > 1 1/2"		60.33	46.00	48.56	48.11	35.00	38.50	0.07
0307.RBH.025008	2 1/2 > 1 1/2"		73.03	46.00	48.56	48.11	35.00	44.50	0.17
0307.RBH.025009	2 1/2 > 2"		73.03	58.00	60.63	60.17	38.50	44.50	0.10
0307.RBH.030006	3 > 1"		88.90	31.00	33.65	33.27	29.00	48.00	0.24
0307.RBH.030008	3 > 1 1/2"		88.90	46.00	48.56	48.11	35.00	48.00	0.24
0307.RBH.030009	3 > 2"		88.90	58.00	60.63	60.17	38.50	48.00	0.25
0307.RBH.030010	3 > 2 1/2"		88.90	70.00	73.38	72.85	44.50	48.00	0.17
0307.RBH.040009	4 > 2"		114.30	58.00	60.63	60.17	38.50	58.00	0.42
0307.RBH.040010	4 > 2 1/2"		114.30	70.00	73.38	72.85	44.50	58.00	0.42
0307.RBH.040011	4 > 3"		114.30	86.00	89.31	88.70	48.00	58.00	0.35
0307.RBH.050012	5 > 4"		141.30	-	-	-	-	-	0.65
0307.RBH.060009	6 > 2"		168.28	58.00	60.63	60.17	38.50	77.00	1.20
0307.RBH.060011	6 > 3"		168.28	86.00	89.31	88.70	48.00	77.00	1.28
0307.RBH.060012	6 > 4"		168.28	110.00	114.76	114.07	58.00	77.00	1.30
0307.RBH.080009	8 > 2"		219.08	57.00	60.63	60.17	38.50	102.00	2.30
0307.RBH.080011	8 > 3"		219.08	85.00	89.31	88.70	48.00	102.00	2.35
0307.RBH.080012	8 > 4"		219.08	110.00	114.76	114.10	58.00	102.00	2.37
0307.RBH.080014	8 > 6"		219.08	164.00	168.83	168.00	77.00	102.00	2.30
0307.RBH.100012	10 > 4"		273.05	110.00	114.76	114.07	58.00	127.00	4.50
0307.RBH.100014	10 > 6"		273.05	164.00	168.83	168.00	77.00	127.00	3.00
0307.RBH.100016	10 > 8"		273.05	214.00	219.84	218.70	102.00	127.00	2.50
0307.RBH.120016	12 > 8"		323.85	214.00	219.84	218.70	102.00	152.50	5.50
0307.RBH.120017	12 > 10"		323.85	268.00	273.81	272.67	127.00	152.50	6.40
0307.RBH.120018	14 > 12"		355.60	318.00	324.61	323.47	152.50	178.00	34.00
0307.RBH.160019	16 > 14"		406.40	350.00	357.55	355.00	178.00	202.00	44.00
0307.RBH.180020	18 > 16"		-	-	-	-	-	-	-
0307.RBH.200020	20 > 16"		-	-	-	-	-	-	-
0307.RBH.200021	20 > 18"		-	-	-	-	-	-	-
0307.RBH.240022	24 > 20"		-	-	-	-	-	-	-

**Notes:** Physical dimensions and tolerances meet the requirements of ASTM Standard D-2467. PVC material meets ASTM Standard D-1784. Dimensions are subject to change without notice. Contact your HYDROSEAL representative for certification.