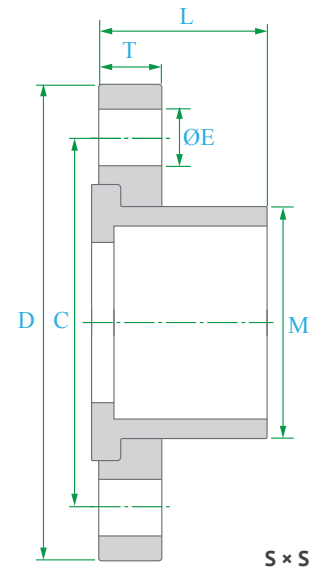


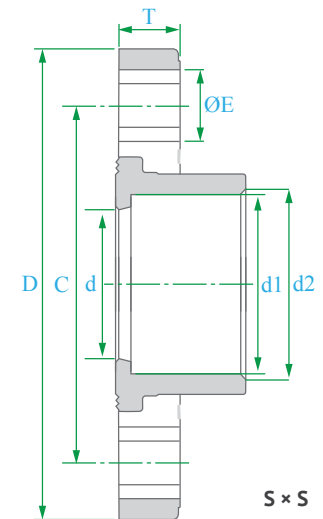
Van Stone Flanges

| PART | NOMINAL SIZE | FLANGE S × S | UNIT OF MEASURE: MM | | | | | Φ E-N | APPROX. WT. |
|---------------|--------------|--------------|---------------------|--------|--------|-------|--------|-------|-------------|
| | | | D | C | M | T | L | | |
| 0407.FLV.0050 | 1/2" | | 89.00 | 60.30 | 31.00 | 12.70 | 25.40 | 14.20 | 0.10 |
| 0407.FLV.0075 | 3/4" | | 98.00 | 69.90 | 36.50 | 14.20 | 28.50 | 14.20 | 0.11 |
| 0407.FLV.0100 | 1" | | 108.00 | 79.40 | 44.50 | 16.60 | 31.30 | 13.00 | 0.18 |
| 0407.FLV.0125 | 1 1/4" | | 116.00 | 88.90 | 54.00 | 16.60 | 34.10 | 15.00 | 0.22 |
| 0407.FLV.0150 | 1 1/2" | | 125.00 | 98.40 | 60.30 | 17.50 | 35.00 | 21.10 | 0.29 |
| 0407.FLV.0200 | 2" | | 149.00 | 120.70 | 73.00 | 20.60 | 38.10 | 21.10 | 0.40 |
| 0407.FLV.0250 | 2 1/2" | | 176.00 | 139.50 | 90.50 | 22.20 | 49.20 | 21.10 | 0.57 |
| 0407.FLV.0300 | 3" | | 190.00 | 152.40 | 108.00 | 25.40 | 57.10 | 18.00 | 0.68 |
| 0407.FLV.0400 | 4" | | 230.00 | 190.50 | 133.30 | 25.40 | 62.00 | 18.20 | 1.07 |
| 0407.FLV.0500 | 5" | | 257.00 | 215.90 | 158.70 | 28.50 | 73.00 | 22.00 | 1.53 |
| 0407.FLV.0600 | 6" | | 285.00 | 241.50 | 192.00 | 34.90 | 82.50 | 22.00 | 1.90 |
| 0407.FLV.0800 | 8" | | 343.00 | 298.50 | 242.00 | 37.30 | 111.00 | 22.00 | 3.80 |
| 0407.FLV.1000 | 10" | | 410.00 | 362.00 | 298.50 | 42.80 | 142.00 | 23.80 | 5.00 |
| 0407.FLV.1200 | 12" | | 489.00 | 431.80 | 349.00 | 42.80 | 184.00 | 25.40 | 9.00 |
| 0407.FLV.1400 | 14" | | 535.00 | 477.80 | 394.50 | 50.80 | 193.00 | 27.00 | 14.00 |
| 0407.FLV.1600 | 16" | | 597.00 | 541.30 | 450.00 | 60.30 | 216.00 | 28.50 | - |
| 0407.FLV.1800 | 18" | | 635.00 | 577.90 | 508.00 | 60.30 | 228.00 | 31.80 | - |
| 0407.FLV.2000 | 20" | | 698.00 | 635.00 | 561.20 | 63.50 | 264.00 | 31.80 | - |
| 0407.FLV.2400 | 24" | | 813.00 | 749.30 | 671.50 | 72.20 | 290.00 | 35.00 | - |



WTF™ Series Flanges

| PART | NOMINAL SIZE | FLANGE S × S | UNIT OF MEASURE: MM | | | | | | Φ E-N | APPROX. WT. |
|---------------|--------------|--------------|---------------------|-------|--------|--------|--------|-------|------------------|-------------|
| | | | D | d | d1 | d2 | C | T | | |
| 0407.FLV.0050 | 1/2" | | 95.00 | 15.0 | 21.54 | 21.23 | 64.70 | 12.50 | 20.2-4 | 0.09 |
| 0407.FLV.0075 | 3/4" | | 100.00 | 20.0 | 26.87 | 26.57 | 73.80 | 13.50 | 18.0-4 | 0.11 |
| 0407.FLV.0100 | 1" | | 118.00 | 25.0 | 33.65 | 33.27 | 85.20 | 15.50 | 21.8-4 | 0.17 |
| 0407.FLV.0125 | 1 1/4" | | 128.00 | 32.0 | 42.42 | 42.04 | 95.00 | 17.50 | 22.0-4 | 0.22 |
| 0407.FLV.0150 | 1 1/2" | | 140.00 | 40.0 | 48.56 | 48.11 | 105.00 | 18.50 | 22.0-4 | 0.29 |
| 0407.FLV.0200 | 2" | | 158.00 | 50.0 | 60.63 | 60.17 | 120.00 | 20.50 | 24.0-4 | 0.40 |
| 0407.FLV.0250 | 2 1/2" | | 180.00 | 65.0 | 73.38 | 72.85 | 142.00 | 23.50 | 21.0-4 | 0.58 |
| 0407.FLV.0300 | 3" | | 192.00 | 75.0 | 89.31 | 88.70 | 156.00 | 25.00 | 23.5-8 | 0.70 |
| 0407.FLV.0400 | 4" | | 230.00 | 100.0 | 114.76 | 114.10 | 185.50 | 27.00 | 24.5-8 | 1.08 |
| 0407.FLV.0600 | 6" | | 280.00 | 150.0 | 168.83 | 168.00 | 240.00 | 31.00 | 24.0-8 | 1.90 |
| 0407.FLV.0800 | 8" | | 342.00 | 204.0 | 219.84 | 218.70 | 293.00 | 36.00 | 27.0-8 / 23.0-12 | 3.30 |
| 0407.FLV.1000 | 10" | | 405.00 | 252.0 | 273.81 | 272.67 | 357.50 | 40.00 | 29.5-12 | 5.20 |
| 0407.FLV.1200 | 12" | | - | - | - | - | - | - | - | - |



Notes: Physical dimensions and tolerances meet the requirements of ASTM Standard D-2467. PVC material meets ASTM Standard D-1784. Dimensions are subject to change without notice. Contact your HYDROSEAL representative for certification.