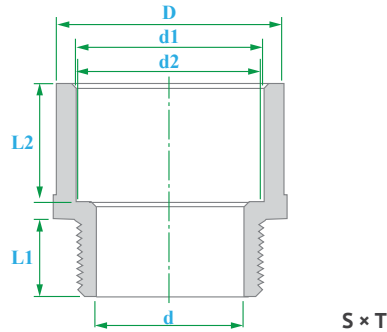


# CPVC SCHEDULE 80 FITTINGS

## Weights, Dimensions and Tolerances

### Male Adaptors



PART	NOMINAL SIZE	ADAPTOR S × T	UNIT OF MEASURE: MM					APPROX. WT.
			D	d	d1	d2	L1	
0308.MAP.0050	1/2"	29.50	15.00	21.54	21.23	22.50	18.00	0.02
0308.MAP.0075	3/4"	35.00	20.00	26.87	26.57	25.50	18.00	0.03
0308.MAP.0100	1"	43.00	25.00	33.65	33.27	29.00	20.00	0.04
0308.MAP.0125	1 1/4"	52.50	32.00	42.42	42.04	32.00	22.00	0.07
0308.MAP.0150	1 1/2"	59.00	38.00	48.56	48.11	35.00	22.00	0.09
0308.MAP.0200	2"	72.00	48.00	60.63	60.17	38.50	25.00	0.12
0308.MAP.0250	2 1/2"	87.50	60.00	73.38	72.85	44.50	32.00	0.24
0308.MAP.0300	3"	105.00	75.00	89.31	88.70	48.00	33.00	0.32
0308.MAP.0400	4"	132.00	100.00	114.76	114.07	57.50	36.00	0.55