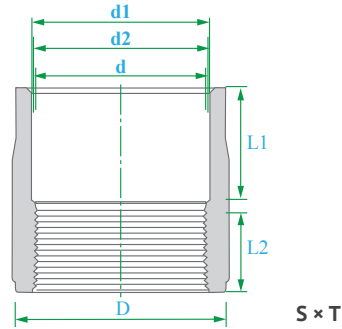


## Female Adaptors



PART	NOMINAL SIZE	ADAPTOR S × T	UNIT OF MEASURE: MM					
			D	d	d1	d2	L1	L2
0308.FAP.0050	1/2"	29.50	18.00	21.54	21.23	22.50	20.00	0.02
0308.FAP.0075	3/4"	35.00	22.50	26.87	26.57	25.50	20.00	0.04
0308.FAP.0100	1"	43.00	28.00	33.65	33.27	29.00	22.50	0.06
0308.FAP.0125	1 1/4"	52.50	36.00	42.42	42.04	32.00	23.00	0.10
0308.FAP.0150	1 1/2"	59.00	43.00	48.56	48.11	35.00	25.00	0.14
0308.FAP.0200	2"	72.00	55.00	60.63	60.17	38.50	27.00	0.22
0308.FAP.0250	2 1/2"	87.50	64.00	73.38	72.85	44.50	35.00	0.34
0308.FAP.0300	3"	105.00	80.00	89.31	88.70	48.00	38.00	0.52
0308.FAP.0400	4"	132.00	106.00	114.76	114.07	57.50	38.00	0.75

**Notes:** Physical dimensions and tolerances meet the requirements of ASTM Standards F-439 for socket type fittings and F-437 for threaded fittings. CPVC material meets ASTM Standard D-1784. Dimensions are subject to change without notice. Contact your HYDROSEAL representative for certification.